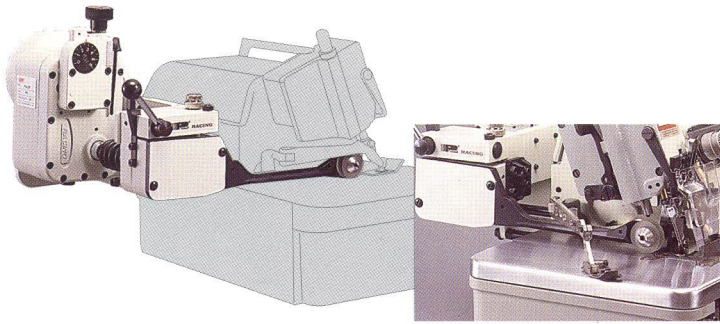


**PG** FOR OVERLOCK WITH SMALL ROLLER(FOR THIN MATERIAL)



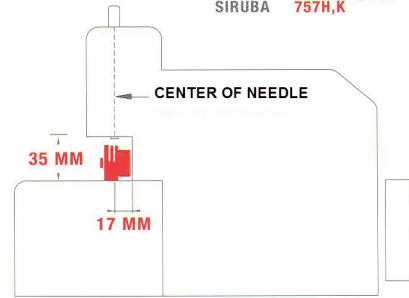
THIS PULLER IS UNABLE TO INSTALL ONTO OVERLOCK MACHINE WITH EITHER VERTICAL OR HORIZONTAL AUTOMATIC THREAD-CHAIN CUTTER.

**PG** SPACE LIMITATION FOR PG SERIES

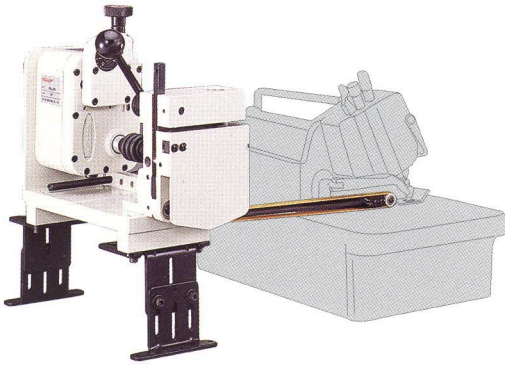
AVAILABLE MODELS:

EXAMPLE:

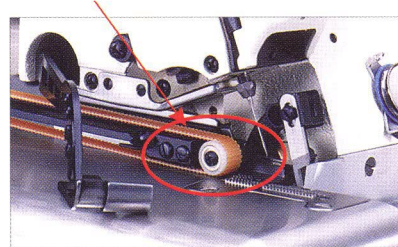
- JUKI MO 3000,6000
- PEGASUS EX,MX,M
- BROTHER N,V
- YAMATO AZ 8000,6000
- SIRUBA 757H,K



**PR** FOR OVERLOCK WITH REAR DRIVE BELT(FOR THIN MATERIAL)



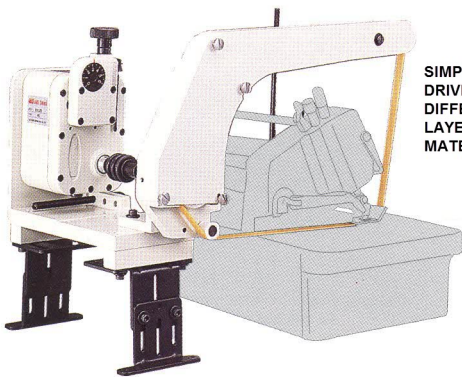
SUITABLE FOR EVERY MACHINE WITHOUT SPACE LIMITATION



CLOSE PROXIMITY OF REAR DRIVE BELT AND NEEDLE IMPROVES SEWING PERFORMANCE.

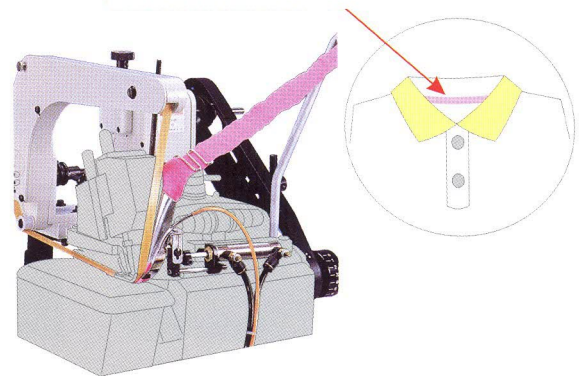
SUITABLE FOR SILKY AND EASY-PUCKER THIN MATERIALS.

**PO** FOR OVERLOCK WITH TOP DRIVE BELT



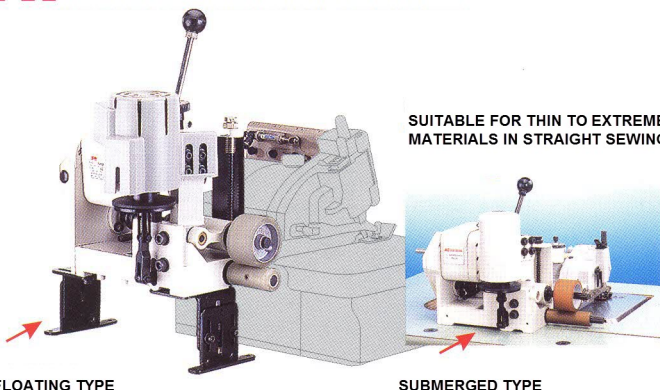
SIMPLE INSTALLATION WITH TOP DRIVE BELT. SUITABLE FOR DIFFERENT KNITTING COLLARS, MULTI-LAYER TOUGH ABRASIVE AND SILKY MATERIALS.

**PO-F** FOR OVERLOCK(FOR SEWING THE COLLAR OF KNIT SHIRT) WITH AIR TYPE FOLDER



**PK** FOR OVERLOCK WITH UPPER AND LOWER ROLLERS

**PK-SP** FRONT PULLER (FOR SPAGHETTI SEWING)



SUITABLE FOR THIN TO EXTREMELY THICK MATERIALS IN STRAIGHT SEWING.

